

Product Information

Temperature-Meter T1010



- Measuring input Pt100 -100.0..+600.0 °C
Pt1000 -50.0..+200.0 °C
- LED-Display 14.2 mm red, indicating range ±9999(0) Digit
- Max. 2 alarm outputs, relay SPDT
- Analog output 0/4..20 mA, 0/2..10 V
- Field case with snap lid, 2 x M16x1.5

Characteristics

The Temperature-Meter T1010 is suitable for measurement of temperatures in connection with RTD sensors Pt100, Pt1000. Devices for other temperature sensors are available on request. The measuring input is isolated. This is identical with the range of the analog output.

Technical data

Power supply

Supply voltage : 230 V AC ±10 %; 115 V AC ±10 %, 24 V AC ±10 % or 24 V DC ±15 %

Power consumption : max. 3.5 VA

Operating temp. : -20..+55 °C

CE-conformity : EN 61326-1:2013
EN 60664-1:2007

Input

Pt100; Pt1000 : -100..+600 °C ; -50..+200 °C

Accuracy : Pt100 or Pt1000 < 0.1% ±2 Digit, max. 100 Ω line resistance

Display

: LED red, 14.2 mm
 Indicating range : ±9999(0) digit, with leading zero suppression
 Additional display : LED 2-digit red, 7 mm (Parameter - and output indicator)

Output

Relay : SPDT < 250 V AC < 250 VA < 2 A, < 300 V DC < 50 W < 2 A

Analog : 0/4..20 mA burden ≤ 500 Ω; 0/2..10 V burden > 500 Ω, no isolation, automatic output changing (burden dependent)

- Accuracy : 0.1 %; TK 0.01 %/K

Field case : Material PA6-GF/GFK 15/15

Dimensions : 100x100x60 mm

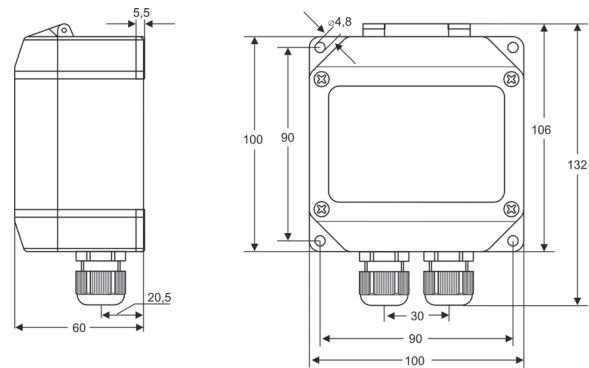
Weight : max. 450 g

Cable gland : 2 x M16x1.5

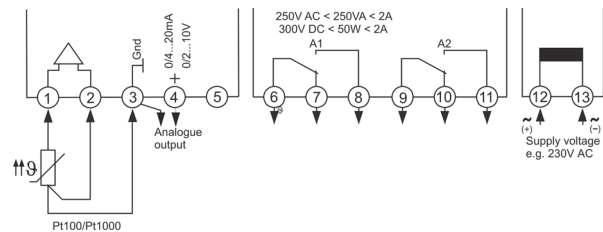
Connection : clamp terminals, 0.08..1.5 mm², AWG28..AWG14

Protection class : front IP65, terminals IP20 acc. to BGV A3

Dimensions



Connection diagram



Ordering code

T1010 - 1. - 2. - 3. - 4. - 5. - 6. - 7.

1. Input		
1	Pt100	-100.0..+600.0°C
3	Pt1000	-50.0..+200.0°C
2. Alarm output		
00	not installed	
2R	2 relay SPDT	
3. Analog output		
00	not installed	
AO	analog output 0/4..20 mA, 0/2..10 V DC	
4. Supply voltage		
0	230 V AC	±10 % 50-60Hz
1	115 V AC	±10 % 50-60Hz
4	24 V AC	±10 % 50-60Hz
5	24 V DC	±15 %
5. Options		
00	without option	
01	min-max-value hold	
07	display brightness programmable	
09	1xM20x1.5 multi (2x∅ 6 mm), 1xM20x1.5	
6. Unit (appears in the unit field)		
7. Additional text above the display (3x70 mm HxW)		